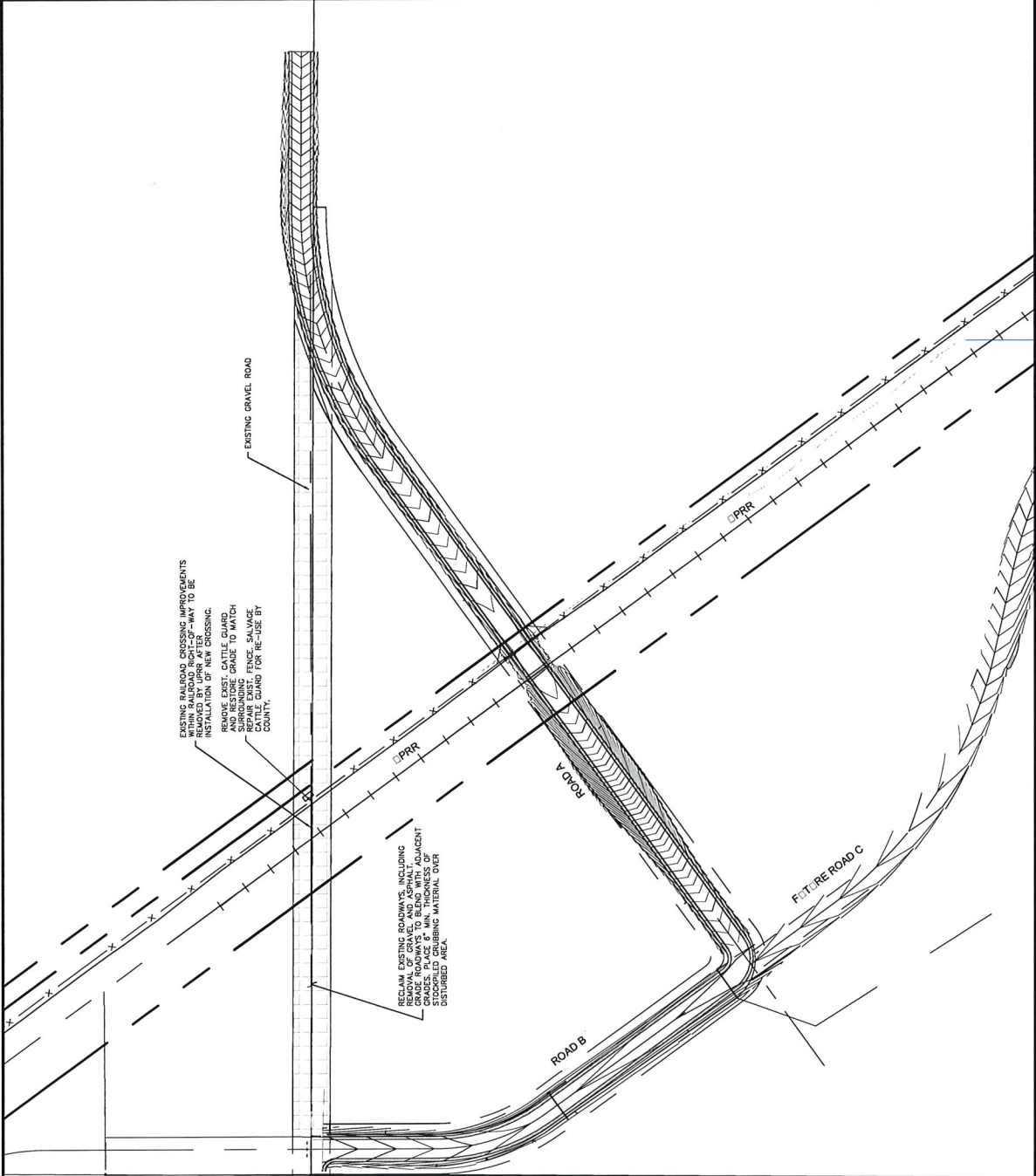


NOTES:

1. RECLAIM ROADS ONLY AFTER NEW ROADS AND CROSSING HAVE BEEN COMPLETED AND PLACED IN SERVICE.
2. EXISTING ASPHALT TO BE PULVERIZED AND LEGALLY DISPOSED OFF-SITE.
3. ALL WORK WITHIN RAILROAD RIGHT OF WAY TO BE PERFORMED BY UPRR CREWS.



BLACK ROCK LOT 10

FOOTHILL

SUNSET MINOR LOT 4

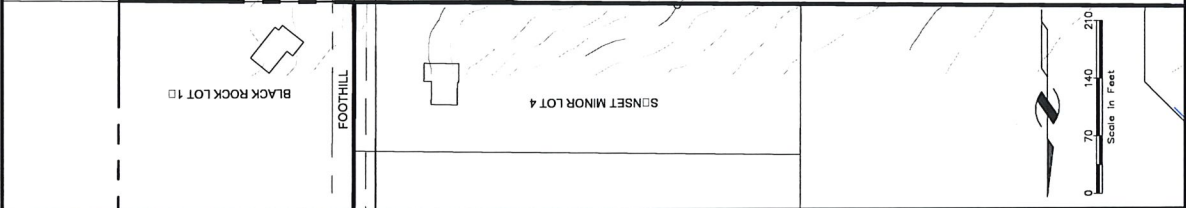
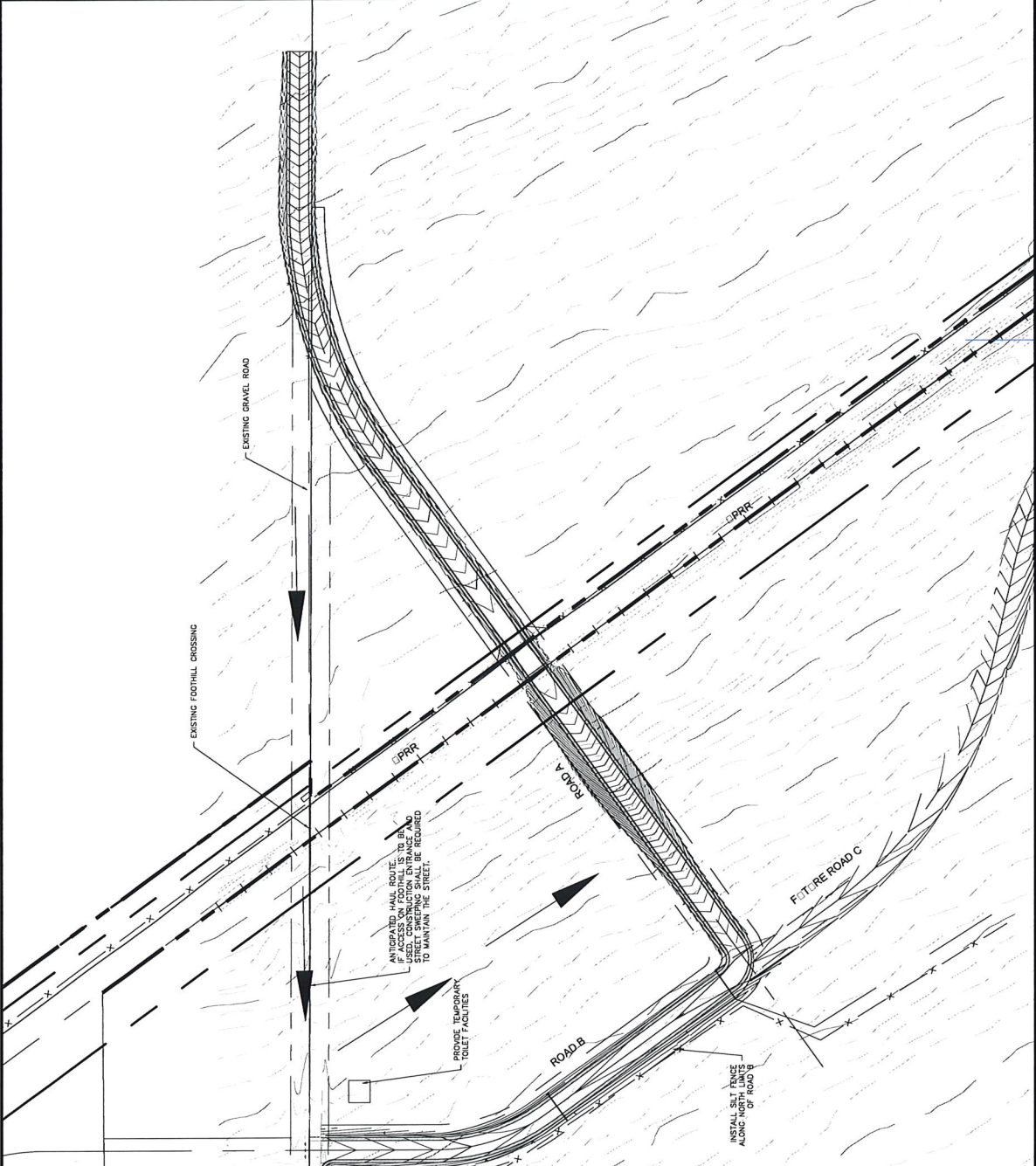
0 70 140 210

Scale in Feet

Rev:	By:	Date:	Revised:	SADDLEBACK PARTNERS LC					
<p>ROAD CLOSURE AND RECLAMATION PLAN</p> <p>FOOTHILL IMPROVEMENTS</p>									
<p>REBINGHAM ENGINEERING</p> <p>10000 W. 10th Street, Suite 100, Denver, CO 80202 Phone: (303) 555-1822 Fax: (303) 555-1823</p>									
<p>Project: 04/18/2017 Contract: 17/17 Sheet: 1 of 1</p> <p>Copyright © 2017 ReBingham Engineering, Inc. Drawing not to be reprinted in part or in whole without written permission.</p> <p>17-0330A (03/2017) (03/2017) 30999 & roadwork.dwg</p>									

NOTES:

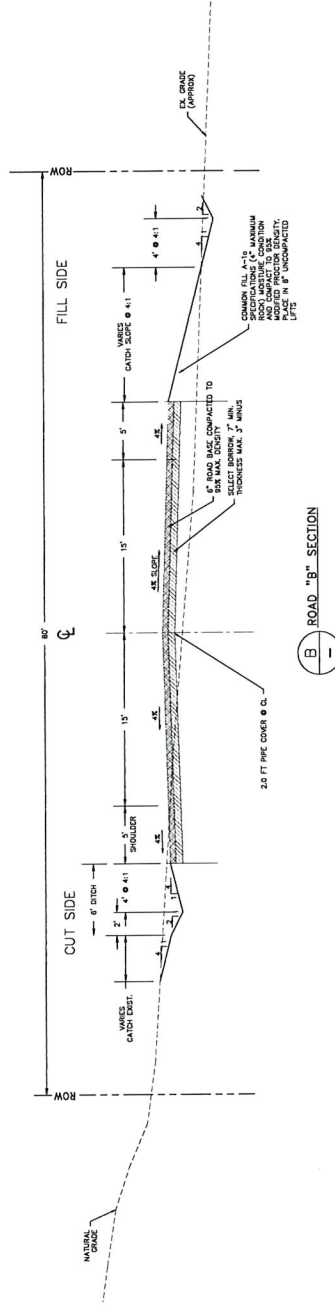
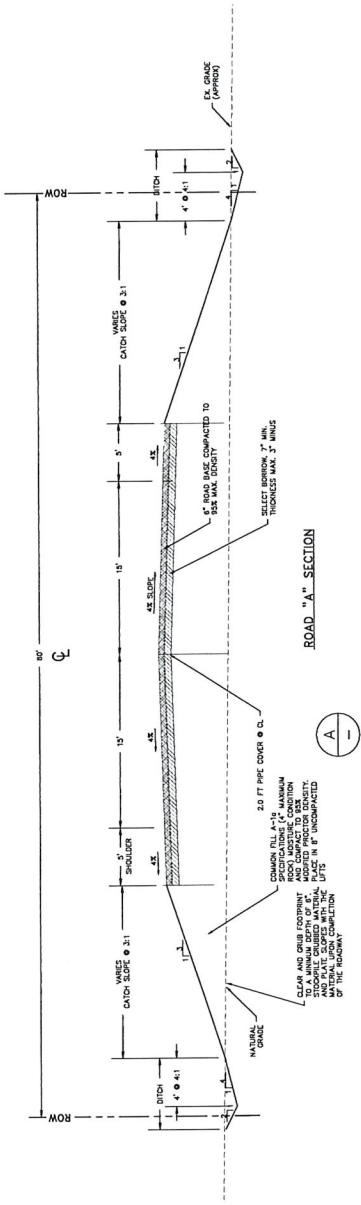
PROVIDE DUST SUPPRESSION AS REQUIRED TO PREVENT DISTURBING NEARBY DEVELOPMENT FOLLOW ACCEPTABLE UTAH DEPARTMENT OF WATER QUALITY BMPs FOR ALL SWPPP WORK.
 LIMIT DISTURBANCE TO RIGHT-OF-WAY SEE RECLAMATION PLAN FOR RE-SEEDING OF DISTURBED AREAS



No.	By	Date	Revisions

SADDLEBACK PARTNERS LC
 SWPPP

B BINGHAM ENGINEERING
 SW-1
 PROJECT NO. 2017-001
 SHEET NO. 1 OF 1
 DATE: 04/18/2017
 SCALE: AS SHOWN
 DRAWN BY: [Name]
 CHECKED BY: [Name]
 PROJECT: [Name]
 CLIENT: [Name]
 ADDRESS: [Address]
 PHONE: [Phone]
 FAX: [Fax]
 EMAIL: [Email]



- C ROADWAY DETAILS (COUNTY)**
THE "MANUAL OF STANDARD PLANS" AND THE "MANUAL OF STANDARD SPECIFICATIONS" BY THE UTAH CHAPTER, AMERICAN PUBLIC WORKS ASSOCIATION AND THE UTAH CHAPTER, THE ASSOCIATED GENERAL CONTRACTORS, 1997 EDITION ARE ADOPTED IN ITS ENTIRETY BY TOOELE COUNTY ENGINEERING DEPARTMENT.
- D ROADWAY DETAILS (UDOT)**
ALL UDOT STANDARD SPECIFICATIONS AND DRAWINGS SHALL BE USED WHEREVER APPLICABLE
- E STORM DRAIN DETAILS**
THE "MANUAL OF STANDARD PLANS" AND THE "MANUAL OF STANDARD SPECIFICATIONS" BY THE UTAH CHAPTER, AMERICAN PUBLIC WORKS ASSOCIATION AND THE UTAH CHAPTER, THE ASSOCIATED GENERAL CONTRACTORS, 1997 EDITION ARE ADOPTED IN ITS ENTIRETY BY TOOELE COUNTY ENGINEERING DEPARTMENT.

- F SIGNAGE DETAILS (COUNTY)**
ALL SIGNS SHALL BE INSTALLED ACCORDING TO THE "MANUAL ON UNIFORM TRAFFIC CONTROL DEVICES (MUTCD)" SPECIFICATIONS AND ACCORDING TO TOOELE COUNTY STANDARDS.
- G RAILROAD DETAILS**
ALL UNION PACIFIC RAILROAD (UPRR) STANDARD SPECIFICATIONS AND DRAWINGS SHALL BE USED WHEREVER APPLICABLE

SADDLEBACK PARTNERS, L.C.
FOOTHILL IMPROVEMENT ROAD
CROSS-SECTIONS & DETAILS

BINGHAM ENGINEERING
INCORPORATED
1411 SOUTH 2000 WEST, SUITE 100
COURT HOUSE BUILDING
SALT LAKE CITY, UTAH 84143
PHONE: (801) 399-1833
FAX: (801) 399-1833

Project No. 2000-017
Drawing No. 2000-017-01
Scale: AS SHOWN
Date: 4/28/17
Sheet No. 1 of 1

Rev	By	Date	Description

**EXHIBIT B
TO
PUBLIC HIGHWAY AT GRADE CROSSING AGREEMENT**

SECTION 1. CONDITIONS AND COVENANTS

A. The Railroad makes no covenant or warranty of title for quiet possession or against encumbrances. The Political Body shall not use or permit use of the Crossing Area for any purposes other than those described in this Agreement. Without limiting the foregoing, the Political Body shall not use or permit use of the Crossing Area for railroad purposes, or for gas, oil or gasoline pipe lines. Any lines constructed on the Railroad's property by or under authority of the Political Body for the purpose of conveying electric power or communications incidental to the Political Body's use of the property for highway purposes shall be constructed in accordance with specifications and requirements of the Railroad, and in such manner as not adversely to affect communication or signal lines of the Railroad or its licensees now or hereafter located upon said property. No nonparty shall be admitted by the Political Body to use or occupy any part of the Railroad's property without the Railroad's written consent. Nothing herein shall obligate the Railroad to give such consent.

B. The Railroad reserves the right to cross the Crossing Area with such railroad tracks as may be required for its convenience or purposes. In the event the Railroad shall place additional tracks upon the Crossing Area, the Political Body shall, at its sole cost and expense, modify the Roadway to conform with all tracks within the Crossing Area.

C. The right hereby granted is subject to any existing encumbrances and rights (whether public or private), recorded or unrecorded, and also to any renewals thereof. The Political Body shall not damage, destroy or interfere with the property or rights of nonparties in, upon or relating to the Railroad's property, unless the Political Body at its own expense settles with and obtains releases from such nonparties.

D. The Railroad reserves the right to use and to grant to others the right to use the Crossing Area for any purpose not inconsistent with the right hereby granted, including, but not by way of limitation, the right to construct, reconstruct, maintain, operate, repair, alter, renew and replace tracks, facilities and appurtenances on the property; and the right to cross the Crossing Area with all kinds of equipment.

E. So far as it lawfully may do so, the Political Body will assume, bear and pay all taxes and assessments of whatsoever nature or kind (whether general, local or special) levied or assessed upon or against the Crossing Area, excepting taxes levied upon and against the property as a component part of the Railroad's operating property.

F. If any property or rights other than the right hereby granted are necessary for the construction, maintenance and use of the Roadway and its appurtenances, or for the performance of any work in connection with the Project, the Political Body will acquire all such other property and rights at its own expense and without expense to the Railroad.

SECTION 2. CONSTRUCTION OF ROADWAY

A. The Political Body, at its expense, will apply for and obtain all public authority required by law, ordinance, rule or regulation for the Project, and will furnish the Railroad upon request with satisfactory evidence that such authority has been obtained.

B. Except as may be otherwise specifically provided herein, the Political Body, at its expense, will furnish all necessary labor, material and equipment, and shall construct and complete the Roadway and all appurtenances thereof. The appurtenances shall include, without limitation, all necessary and proper highway warning devices (except those installed by the Railroad within its right of way) and all necessary drainage facilities, guard rails or barriers, and right of way fences between the Roadway and the railroad tracks. Upon completion of the Project, the Political Body shall remove from the Railroad's property all temporary structures and false work, and will leave the Crossing Area in a condition satisfactory to the Railroad.

C. All construction work of the Political Body upon the Railroad's property (including, but not limited to, construction of the Roadway and all appurtenances and all related and incidental work) shall be performed and completed in a manner satisfactory to the Assistant Vice President Engineering-Design of the Railroad or his authorized representative and in compliance with the Plans, and other guidelines furnished by the Railroad.

D. All construction work of the Political Body shall be performed diligently and completed within a reasonable time. No part of the Project shall be suspended, discontinued or unduly delayed without the Railroad's written consent, and subject to such reasonable conditions as the Railroad may specify. It is understood that the Railroad's tracks at and in the vicinity of the work will be in constant or frequent use during progress of the work and that movement or stoppage of trains, engines or cars may cause delays in the work of the Political Body. The Political Body hereby assumes the risk of any such delays and agrees that no claims for damages on account of any delay shall be made against the Railroad by the State and/or the Contractor.

SECTION 3. INJURY AND DAMAGE TO PROPERTY

If the Political Body, in the performance of any work contemplated by this Agreement or by the failure to do or perform anything for which the Political Body is responsible under the provisions of this Agreement, shall injure, damage or destroy

any property of the Railroad or of any other person lawfully occupying or using the property of the Railroad, such property shall be replaced or repaired by the Political Body at the Political Body's own expense, or by the Railroad at the expense of the Political Body, and to the satisfaction of the Railroad's Assistant Vice President Engineering-Design.

SECTION 4. RAILROAD MAY USE CONTRACTORS TO PERFORM WORK

The Railroad may contract for the performance of any of its work by other than the Railroad forces. The Railroad shall notify the Political Body of the contract price within ninety (90) days after it is awarded. Unless the Railroad's work is to be performed on a fixed price basis, the Political Body shall reimburse the Railroad for the amount of the contract.

SECTION 5. MAINTENANCE AND REPAIRS

A. The Political Body shall, at its own sole expense, maintain, repair, and renew, or cause to be maintained, repaired and renewed, the entire Crossing Area and Roadway, except the portions between the track tie ends, which shall be maintained by and at the expense of the Railroad.

B. If, in the future, the Political Body elects to have the surfacing material between the track tie ends, or between tracks if there is more than one railroad track across the Crossing Area, replaced with paving or some surfacing material other than timer planking, the Railroad, at the Political Body's expense, shall install such replacement surfacing, and in the future, to the extent repair or replacement of the surfacing is necessitated by repair or rehabilitation of the Railroad's tracks through the Crossing Area, the Political Body shall bear the expense of such repairs or replacement.

SECTION 6. CHANGES IN GRADE

If at any time the Railroad shall elect, or be required by competent authority to, raise or lower the grade of all or any portion of the track(s) located within the Crossing Area, the Political Body shall, at its own expense, conform the Roadway to conform with the change of grade of the trackage.

SECTION 7. REARRANGEMENT OF WARNING DEVICES

If the change or rearrangement of any warning device installed hereunder is necessitated for public or Railroad convenience or on account of improvements for either the Railroad, highway or both, the parties will apportion the expense incidental thereto between themselves by negotiation, agreement or by the order of a competent authority before the change or rearrangement is undertaken.

SECTION 8. SAFETY MEASURES; PROTECTION OF RAILROAD COMPANY OPERATIONS

It is understood and recognized that safety and continuity of the Railroad's operations and communications are of the utmost importance; and in order that the same may be adequately safeguarded, protected and assured, and in order that accidents may be prevented and avoided, it is agreed with respect to all of said work of the Political Body that the work will be performed in a safe manner and in conformity with the following standards:

A. **Definitions.** All references in this Agreement to the Political Body shall also include the Contractor and their respective officers, agents and employees, and others acting under its or their authority; and all references in this Agreement to work of the Political Body shall include work both within and outside of the Railroad's property.

B. **Entry on to Railroad's Property by Political Body.** If the Political Body's employees need to enter Railroad's property in order to perform an inspection of the Roadway, minor maintenance or other activities, the Political Body shall first provide at least ten (10) working days advance notice to the Railroad Representative. With respect to such entry on to Railroad's property, the Political Body, to the extent permitted by law, agrees to release, defend and indemnify the Railroad from and against any loss, damage, injury, liability, claim, cost or expense incurred by any person including, without limitation, the Political Body's employees, or damage to any property or equipment (collectively the "Loss") that arises from the presence or activities of Political Body's employees on Railroad's property, except to the extent that any Loss is caused by the sole direct negligence of Railroad.

C. **Flagging.**

(i) If the Political Body's employees need to enter Railroad's property as provided in Paragraph B above, the Political Body agrees to notify the Railroad Representative at least thirty (30) working days in advance of proposed performance of any work by Political Body in which any person or equipment will be within twenty-five (25) feet of any track, or will be near enough to any track that any equipment extension (such as, but not limited to, a crane boom) will reach to within twenty-five (25) feet of any track. No work of any kind shall be performed, and no person, equipment, machinery, tool(s), material(s), vehicle(s), or thing(s) shall be located, operated, placed, or stored within twenty-five (25) feet of any of Railroad's track(s) at any time, for any reason, unless and until a Railroad flagman is provided to watch for trains. Upon receipt of such thirty (30) day notice, the Railroad Representative will determine and inform Political Body whether a flagman need be present and whether Political Body needs to implement any special protective or safety measures. If flagging or other special protective or safety measures are performed by Railroad, Railroad will bill Political Body for such expenses incurred by Railroad. If Railroad performs any flagging, or other special protective or safety measures are performed by Railroad, Political Body agrees that Political Body is not relieved of any of its responsibilities or liabilities set forth in this Agreement.

(ii) The rate of pay per hour for each flagman will be the prevailing hourly rate in effect for an eight-hour day for the class of flagmen used during regularly assigned hours and overtime in accordance with Labor Agreements and Schedules in effect at the time the work is performed. In addition to the cost of such labor, a composite charge for vacation, holiday, health and welfare, supplemental sickness, Railroad Retirement and unemployment compensation, supplemental pension, Employees Liability and Property Damage and Administration will be included, computed on actual payroll. The composite charge will be the prevailing composite charge in effect at the time the work is performed. One and one-half times the current hourly rate is paid for overtime, Saturdays and Sundays, and two and one-half times current hourly rate for holidays. Wage rates are subject to change, at any time, by law or by agreement between Railroad and its employees, and may be retroactive as a result of negotiations or a ruling of an authorized governmental agency. Additional charges on labor are also subject to change. If the wage rate or additional charges are changed, Political Body shall pay on the basis of the new rates and charges.

(iii) Reimbursement to Railroad will be required covering the full eight-hour day during which any flagman is furnished, unless the flagman can be assigned to other Railroad work during a portion of such day, in which event reimbursement will not be required for the portion of the day during which the flagman is engaged in other Railroad work. Reimbursement will also be required for any day not actually worked by the flagman following the flagman's assignment to work on the project for which Railroad is required to pay the flagman and which could not reasonably be avoided by Railroad by assignment of such flagman to other work, even though Political Body may not be working during such time. When it becomes necessary for Railroad to bulletin and assign an employee to a flagging position in compliance with union collective bargaining agreements, Political Body must provide Railroad a minimum of five (5) days notice prior to the cessation of the need for a flagman. If five (5) days notice of cessation is not given, Political Body will still be required to pay flagging charges for the five (5) day notice period required by union agreement to be given to the employee, even though flagging is not required for that period. An additional thirty (30) days notice must then be given to Railroad if flagging services are needed again after such five day cessation notice has been given to Railroad.

D. **Compliance With Laws.** The Political Body shall comply with all applicable federal, state and local laws, regulations and enactments affecting the work. The Political Body shall use only such methods as are consistent with safety, both as concerns the Political Body, the Political Body's agents and employees, the officers, agents, employees and property of the Railroad and the public in general. The Political Body (without limiting the generality of the foregoing) shall comply with all applicable state and federal occupational safety and health acts and regulations. All Federal Railroad Administration regulations shall be followed when work is performed on the Railroad's premises. If any failure by the Political Body to comply with any such laws, regulations, and enactments, shall result in any fine, penalty, cost or charge being assessed, imposed or charged against the Railroad, the Political Body shall reimburse, and to the extent it may lawfully do so, indemnify the Railroad for any such fine,

penalty, cost, or charge, including without limitation attorney's fees, court costs and expenses. The Political Body further agrees in the event of any such action, upon notice thereof being provided by the Railroad, to defend such action free of cost, charge, or expense to the Railroad.

E. **No Interference or Delays.** The Political Body shall not do, suffer or permit anything which will or may obstruct, endanger, interfere with, hinder or delay maintenance or operation of the Railroad's tracks or facilities, or any communication or signal lines, installations or any appurtenances thereof, or the operations of others lawfully occupying or using the Railroad's property or facilities.

F. **Supervision.** The Political Body, at its own expense, shall adequately police and supervise all work to be performed by the Political Body, and shall not inflict injury to persons or damage to property for the safety of whom or of which the Railroad may be responsible, or to property of the Railroad. The responsibility of the Political Body for safe conduct and adequate policing and supervision of the Project shall not be lessened or otherwise affected by the Railroad's approval of plans and specifications, or by the Railroad's collaboration in performance of any work, or by the presence at the work site of the Railroad's representatives, or by compliance by the Political Body with any requests or recommendations made by such representatives. If a representative of the Railroad is assigned to the Project, the Political Body will give due consideration to suggestions and recommendations made by such representative for the safety and protection of the Railroad's property and operations.

G. **Suspension of Work.** If at any time the Political Body's engineers or the Vice President-Engineering Services of the Railroad or their respective representatives shall be of the opinion that any work of the Political Body is being or is about to be done or prosecuted without due regard and precaution for safety and security, the Political Body shall immediately suspend the work until suitable, adequate and proper protective measures are adopted and provided.

H. **Removal of Debris.** The Political Body shall not cause, suffer or permit material or debris to be deposited or cast upon, or to slide or fall upon any property or facilities of the Railroad; and any such material and debris shall be promptly removed from the Railroad's property by the Political Body at the Political Body's own expense or by the Railroad at the expense of the Political Body. The Political Body shall not cause, suffer or permit any snow to be plowed or cast upon the Railroad's property during snow removal from the Crossing Area.

I. **Explosives.** The Political Body shall not discharge any explosives on or in the vicinity of the Railroad's property without the prior consent of the Railroad's Vice President-Engineering Services, which shall not be given if, in the sole discretion of the Railroad's Vice President-Engineering Services, such discharge would be dangerous or would interfere with the Railroad's property or facilities. For the purposes hereof, the "vicinity of the Railroad's property" shall be deemed to be any place on the Railroad's property or in such close proximity to the Railroad's property

that the discharge of explosives could cause injury to the Railroad's employees or other persons, or cause damage to or interference with the facilities or operations on the Railroad's property. The Railroad reserves the right to impose such conditions, restrictions or limitations on the transportation, handling, storage, security and use of explosives as the Railroad, in the Railroad's sole discretion, may deem to be necessary, desirable or appropriate.

J. **Excavation.** The Political Body shall not excavate from existing slopes nor construct new slopes which are excessive and may create hazards of slides or falling rock, or impair or endanger the clearance between existing or new slopes and the tracks of the Railroad. The Political Body shall not do or cause to be done any work which will or may disturb the stability of any area or adversely affect the Railroad's tracks or facilities. The Political Body, at its own expense, shall install and maintain adequate shoring and cribbing for all excavation and/or trenching performed by the Political Body in connection with construction, maintenance or other work. The shoring and cribbing shall be constructed and maintained with materials and in a manner approved by the Railroad's Assistant Vice President Engineering - Design to withstand all stresses likely to be encountered, including any stresses resulting from vibrations caused by the Railroad's operations in the vicinity.

K. **Drainage.** The Political Body, at the Political Body's own expense, shall provide and maintain suitable facilities for draining the Roadway and its appurtenances, and shall not suffer or permit drainage water therefrom to flow or collect upon property of the Railroad. The Political Body, at the Political Body's own expense, shall provide adequate passageway for the waters of any streams, bodies of water and drainage facilities (either natural or artificial, and including water from the Railroad's culvert and drainage facilities), so that said waters may not, because of any facilities or work of the Political Body, be impeded, obstructed, diverted or caused to back up, overflow or damage the property of the Railroad or any part thereof, or property of others. The Political Body shall not obstruct or interfere with existing ditches or drainage facilities.

L. **Notice.** Before commencing any work, the Political Body shall provide the advance notice to the Railroad that is required under the Contractor's Right of Entry Agreement.

M. **Fiber Optic Cables.** Fiber optic cable systems may be buried on the Railroad's property. Protection of the fiber optic cable systems is of extreme importance since any break could disrupt service to users resulting in business interruption and loss of revenue and profits. Political Body shall telephone the Railroad during normal business hours (7:00 a.m. to 9:00 p.m. Central Time, Monday through Friday, except holidays) at 1-800-336-9193 (also a 24-hour, 7-day number for emergency calls) to determine if fiber optic cable is buried anywhere on the Railroad's premises to be used by the Political Body. If it is, Political Body will telephone the telecommunications company(ies) involved, arrange for a cable locator, and make arrangements for relocation or other protection of the fiber optic cable prior to beginning any work on the

Railroad's premises.

SECTION 9. INTERIM WARNING DEVICES

If at anytime it is determined by a competent authority, by the Political Body, or by agreement between the parties, that new or improved train activated warning devices should be installed at the Crossing Area, the Political Body shall install adequate temporary warning devices or signs and impose appropriate vehicular control measures to protect the motoring public until the new or improved devices have been installed.

SECTION 10. OTHER RAILROADS

All protective and indemnifying provisions of this Agreement shall inure to the benefit of the Railroad and any other railroad company lawfully using the Railroad's property or facilities.

SECTION 11. BOOKS AND RECORDS

The books, papers, records and accounts of Railroad, so far as they relate to the items of expense for the materials to be provided by Railroad under this Project, or are associated with the work to be performed by Railroad under this Project, shall be open to inspection and audit at Railroad's offices in Omaha, Nebraska, during normal business hours by the agents and authorized representatives of Political Body for a period of three (3) years following the date of Railroad's last billing sent to Political Body.

SECTION 12. REMEDIES FOR BREACH OR NONUSE

A. If the Political Body shall fail, refuse or neglect to perform and abide by the terms of this Agreement, the Railroad, in addition to any other rights and remedies, may perform any work which in the judgment of the Railroad is necessary to place the Roadway and appurtenances in such condition as will not menace, endanger or interfere with the Railroad's facilities or operations or jeopardize the Railroad's employees; and the Political Body will reimburse the Railroad for the expenses thereof.

B. Nonuse by the Political Body of the Crossing Area for public highway purposes continuing at any time for a period of eighteen (18) months shall, at the option of the Railroad, work a termination of this Agreement and of all rights of the Political Body hereunder.

C. The Political Body will surrender peaceable possession of the Crossing Area and Roadway upon termination of this Agreement. Termination of this Agreement shall not affect any rights, obligations or liabilities of the parties, accrued or otherwise, which may have arisen prior to termination.

SECTION 13. MODIFICATION - ENTIRE AGREEMENT

No waiver, modification or amendment of this Agreement shall be of any force or effect unless made in writing, signed by the Political Body and the Railroad and specifying with particularity the nature and extent of such waiver, modification or amendment. Any waiver by the Railroad of any default by the Political Body shall not affect or impair any right arising from any subsequent default. This Agreement and Exhibits attached hereto and made a part hereof constitute the entire understanding between the Political Body and the Railroad and cancel and supersede any prior negotiations, understandings or agreements, whether written or oral, with respect to the work or any part thereof.

EXHIBIT C

TO

PUBLIC HIGHWAY AT GRADE CROSSING AGREEMENT

Exhibit C (if applicable) will be Railroad's Material and Force Agreement Estimate.

ESTIMATE OF MATERIAL AND FORCE ACCOUNT WORK
BY THE
UNION PACIFIC RAILROAD COMPANY
FOR
TOOELE COUNTY

DESCRIPTION OF WORK: This project work is associated with engineering and flagging for the at-grade crossing installation of Foothill Drive: DOT# 806715B, MP 759.60, Lynndyl Subdivision.

CITY: Erda SERVICE UNIT: 17 STATE: Utah DATE: 9/7/2018

<u>DESCRIPTION</u>	<u>LABOR</u>	<u>MATERIAL</u>	<u>COUNTY TOTAL</u>
Flagging	\$12,900		\$12,900
Engineering Review & Observation	\$5,000		\$5,000
TOTAL PROJECT	\$17,900		\$17,900

EXISTING REUSABLE MATERIAL - NONE

SALVAGE NONUSABLE MATERIAL - NONE

TOTAL ESTIMATED COST OF PROJECT LESS CREDITS \$17,900

THE ABOVE FIGURES ARE ESTIMATES ONLY AND SUBJECT TO FLUCTUATION. IN THE EVENT OF AN INCREASE OR DECREASE IN THE COST OF AMOUNT OF MATERIAL OR LABOR REQUIRED, THE STATE WILL BE BILLED FOR ACTUAL CONSTRUCTION COST AT THE CURRENT RATES EFFECTIVE THEREOF.

EXHIBIT D
TO
PUBLIC HIGHWAY AT-GRADE CROSSING AGREEMENT

CONTRACTOR'S
RIGHT OF ENTRY AGREEMENT

THIS AGREEMENT is made and entered into as of the _____ day of _____, 20_____, by and between **UNION PACIFIC RAILROAD COMPANY**, a Delaware corporation ("Railroad"); and _____, a _____ corporation ("Contractor").

RECITALS:

Contractor has been hired by _____ to perform work relating to _____

_____ (the "work"), with all or a portion of such work to be performed on property of Railroad in the vicinity of Railroad's Milepost _____ on Railroad's _____ [Subdivision] [Branch] [at or near DOT No. _____] located at or near _____, in _____ County, State of _____, as such location is in the general location shown on the print marked **Exhibit A**, attached hereto and hereby made a part hereof, which work is the subject of a contract dated _____ between Railroad and _____.

Railroad is willing to permit Contractor to perform the work described above at the location described above subject to the terms and conditions contained in this Agreement

AGREEMENT:

NOW, THEREFORE, it is mutually agreed by and between Railroad and Contractor, as follows:

ARTICLE 1 - DEFINITION OF CONTRACTOR.

For purposes of this Agreement, all references in this agreement to Contractor shall include Contractor's contractors, subcontractors, officers, agents and employees, and others acting under its or their authority.

ARTICLE 2 - RIGHT GRANTED; PURPOSE.

Railroad hereby grants to Contractor the right, during the term hereinafter stated and upon and subject to each and all of the terms, provisions and conditions herein contained, to enter upon and have ingress to and egress from the property described in the Recitals for the purpose of performing the work described in the Recitals above. The right herein granted to Contractor is limited to those portions of Railroad's property specifically described herein, or as designated by the Railroad Representative named in Article 4.

ARTICLE 3 - TERMS AND CONDITIONS CONTAINED IN EXHIBITS B, C AND D.

The terms and conditions contained in **Exhibit B**, **Exhibit C** and **Exhibit D**, attached hereto, are hereby made a part of this Agreement.

ARTICLE 4 - ALL EXPENSES TO BE BORNE BY CONTRACTOR; RAILROAD REPRESENTATIVE.

A. Contractor shall bear any and all costs and expenses associated with any work performed by Contractor, or any costs or expenses incurred by Railroad relating to this Agreement.

B. Contractor shall coordinate all of its work with the following Railroad representative or his or her duly authorized representative (the "Railroad Representative"):

C. Contractor, at its own expense, shall adequately police and supervise all work to be performed by Contractor and shall ensure that such work is performed in a safe manner as set forth in Section 7 of **Exhibit B**. The responsibility of Contractor for safe conduct and adequate policing and supervision of Contractor's work shall not be lessened or otherwise affected by Railroad's approval of plans and specifications involving the work, or by Railroad's collaboration in performance of any work, or by the presence at the work site of a Railroad Representative, or by compliance by Contractor with any requests or recommendations made by Railroad Representative.

ARTICLE 5 - SCHEDULE OF WORK ON A MONTHLY BASIS.

The Contractor, at its expense, shall provide on a monthly basis a detailed schedule of work to the Railroad Representative named in Article 4B above. The reports shall start at the execution of this Agreement and continue until this Agreement is terminated as provided in this Agreement or until the Contractor has completed all work on Railroad's property.

ARTICLE 6 - TERM; TERMINATION.

A. The grant of right herein made to Contractor shall commence on the date of this Agreement, and continue until _____, unless sooner terminated as herein provided, or at such time as Contractor has completed its work on Railroad's property, whichever is earlier. Contractor agrees to notify the Railroad Representative in writing when it has completed its work on Railroad's property.

B. This Agreement may be terminated by either party on ten (10) days written notice to the other party.

ARTICLE 7 - CERTIFICATE OF INSURANCE.

A. Before commencing any work, Contractor will provide Railroad with the (i) insurance binders, policies, certificates and endorsements set forth in **Exhibit C** of this Agreement, and (ii) the insurance endorsements obtained by each subcontractor as required under Section 12 of **Exhibit B** of this Agreement.

B. All insurance correspondence, binders, policies, certificates and endorsements shall be sent to:

Union Pacific Railroad Company

[Insert mailing address]

Attn: _____
Folder No. _____

ARTICLE 8 - DISMISSAL OF CONTRACTOR'S EMPLOYEE.

At the request of Railroad, Contractor shall remove from Railroad's property any employee of Contractor who fails to conform to the instructions of the Railroad Representative in connection with the work on Railroad's property, and any right of Contractor shall be suspended until such removal has occurred. Contractor shall indemnify Railroad against any claims arising from the removal of any such employee from Railroad's property.

ARTICLE 9- ADMINISTRATIVE FEE.

Upon the execution and delivery of this Agreement, Contractor shall pay to Railroad _____ Dollars (\$_____) as reimbursement for clerical, administrative and handling expenses in connection with the processing of this Agreement.

ARTICLE 10 - CROSSINGS; COMPLIANCE WITH MUTCD AND FRA GUIDELINES.

A. No additional vehicular crossings (including temporary haul roads) or pedestrian crossings over Railroad's trackage shall be installed or used by Contractor without the prior written permission of Railroad.

B. Any permanent or temporary changes, including temporary traffic control, to crossings must conform to the Manual of Uniform Traffic Control Devices (MUTCD) and any applicable Federal Railroad Administration rules, regulations and guidelines, and must be reviewed by the Railroad prior to any changes being implemented. In the event the Railroad is found to be out of compliance with federal safety regulations due to the Contractor's modifications, negligence, or any other reason arising from the Contractor's presence on the Railroad's property, the Contractor agrees to assume liability for any civil penalties imposed upon the Railroad for such noncompliance.

ARTICLE 11.- EXPLOSIVES.

Explosives or other highly flammable substances shall not be stored or used on Railroad's property without the prior written approval of Railroad.

IN WITNESS WHEREOF, the parties hereto have duly executed this agreement in duplicate as of the date first herein written.

UNION PACIFIC RAILROAD COMPANY

By: _____
Title: _____

(Name of Contractor)

By: _____
Title: _____

EXHIBIT A

Exhibit A will be a print showing the general location of the work site.

EXHIBIT B
TO
CONTRACTOR'S RIGHT OF ENTRY AGREEMENT

Section 1. NOTICE OF COMMENCEMENT OF WORK - FLAGGING.

A. Contractor agrees to notify the Railroad Representative at least ten (10) working days in advance of Contractor commencing its work and at least thirty (30) working days in advance of proposed performance of any work by Contractor in which any person or equipment will be within twenty-five (25) feet of any track, or will be near enough to any track that any equipment extension (such as, but not limited to, a crane boom) will reach to within twenty-five (25) feet of any track. No work of any kind shall be performed, and no person, equipment, machinery, tool(s), material(s), vehicle(s), or thing(s) shall be located, operated, placed, or stored within twenty-five (25) feet of any of Railroad's track(s) at any time, for any reason, unless and until a Railroad flagman is provided to watch for trains. Upon receipt of such thirty (30)-day notice, the Railroad Representative will determine and inform Contractor whether a flagman need be present and whether Contractor needs to implement any special protective or safety measures. If flagging or other special protective or safety measures are performed by Railroad, Railroad will bill Contractor for such expenses incurred by Railroad, unless Railroad and a federal, state or local governmental entity have agreed that Railroad is to bill such expenses to the federal, state or local governmental entity. If Railroad will be sending the bills to Contractor, Contractor shall pay such bills within thirty (30) days of Contractor's receipt of billing. If Railroad performs any flagging, or other special protective or safety measures are performed by Railroad, Contractor agrees that Contractor is not relieved of any of its responsibilities or liabilities set forth in this Agreement.

B. The rate of pay per hour for each flagman will be the prevailing hourly rate in effect for an eight-hour day for the class of flagmen used during regularly assigned hours and overtime in accordance with Labor Agreements and Schedules in effect at the time the work is performed. In addition to the cost of such labor, a composite charge for vacation, holiday, health and welfare, supplemental sickness, Railroad Retirement and unemployment compensation, supplemental pension, Employees Liability and Property Damage and Administration will be included, computed on actual payroll. The composite charge will be the prevailing composite charge in effect at the time the work is performed. One and one-half times the current hourly rate is paid for overtime, Saturdays and Sundays, and two and one-half times current hourly rate for holidays. Wage rates are subject to change, at any time, by law or by agreement between Railroad and its employees, and may be retroactive as a result of negotiations or a ruling of an authorized governmental agency. Additional charges on labor are also subject to change. If the wage rate or additional charges are changed, Contractor (or the governmental entity, as applicable) shall pay on the basis of the new rates and charges.

C. Reimbursement to Railroad will be required covering the full eight-hour day during which any flagman is furnished, unless the flagman can be assigned to other Railroad work during a portion of such day, in which event reimbursement will not be required for the portion of the day during which the flagman is engaged in other Railroad work. Reimbursement will also be required for any day not actually worked by the flagman following the flagman's assignment to work on the project for which Railroad is required to pay the flagman and which could not reasonably be avoided by Railroad by assignment of such flagman to other work, even though Contractor may not be working during such time. When it becomes necessary for Railroad to bulletin and assign an employee to a flagging position in compliance with union collective bargaining agreements, Contractor must provide Railroad a minimum of five (5) days notice prior to the cessation of the need for a flagman. If five (5) days notice of cessation is not given, Contractor will still be required to pay flagging charges for the five (5) day notice period required by union agreement to be given to the employee, even though flagging is not required for that period. An additional thirty (30) days notice must then be given to Railroad if flagging services are needed again after such five day cessation notice has been given to Railroad.

Section 2. LIMITATION AND SUBORDINATION OF RIGHTS GRANTED

A. The foregoing grant of right is subject and subordinate to the prior and continuing right and obligation of the Railroad to use and maintain its entire property including the right and power of Railroad to construct, maintain, repair, renew, use, operate, change, modify or relocate railroad tracks, roadways, signal, communication, fiber optics, or other wirelines, pipelines and other facilities upon, along or across any or all parts of its property, all or any of which may be

freely done at any time or times by Railroad without liability to Contractor or to any other party for compensation or damages.

B. The foregoing grant is also subject to all outstanding superior rights (whether recorded or unrecorded and including those in favor of licensees and lessees of Railroad's property, and others) and the right of Railroad to renew and extend the same, and is made without covenant of title or for quiet enjoyment.

Section 3. NO INTERFERENCE WITH OPERATIONS OF RAILROAD AND ITS TENANTS.

A. Contractor shall conduct its operations so as not to interfere with the continuous and uninterrupted use and operation of the railroad tracks and property of Railroad, including without limitation, the operations of Railroad's lessees, licensees or others, unless specifically authorized in advance by the Railroad Representative. Nothing shall be done or permitted to be done by Contractor at any time that would in any manner impair the safety of such operations. When not in use, Contractor's machinery and materials shall be kept at least fifty (50) feet from the centerline of Railroad's nearest track, and there shall be no vehicular crossings of Railroad's tracks except at existing open public crossings.

B. Operations of Railroad and work performed by Railroad personnel and delays in the work to be performed by Contractor caused by such railroad operations and work are expected by Contractor, and Contractor agrees that Railroad shall have no liability to Contractor, or any other person or entity for any such delays. The Contractor shall coordinate its activities with those of Railroad and third parties so as to avoid interference with railroad operations. The safe operation of Railroad train movements and other activities by Railroad takes precedence over any work to be performed by Contractor.

Section 4. LIENS.

Contractor shall pay in full all persons who perform labor or provide materials for the work to be performed by Contractor. Contractor shall not create, permit or suffer any mechanic's or materialmen's liens of any kind or nature to be created or enforced against any property of Railroad for any such work performed. Contractor shall indemnify and hold harmless Railroad from and against any and all liens, claims, demands, costs or expenses of whatsoever nature in any way connected with or growing out of such work done, labor performed, or materials furnished. If Contractor fails to promptly cause any lien to be released of record, Railroad may, at its election, discharge the lien or claim of lien at Contractor's expense.

Section 5. PROTECTION OF FIBER OPTIC CABLE SYSTEMS.

A. Fiber optic cable systems may be buried on Railroad's property. Protection of the fiber optic cable systems is of extreme importance since any break could disrupt service to users resulting in business interruption and loss of revenue and profits. Contractor shall telephone Railroad during normal business hours (7:00 a.m. to 9:00 p.m. Central Time, Monday through Friday, except holidays) at 1-800-336-9193 (also a 24-hour, 7-day number for emergency calls) to determine if fiber optic cable is buried anywhere on Railroad's property to be used by Contractor. If it is, Contractor will telephone the telecommunications company(ies) involved, make arrangements for a cable locator and, if applicable, for relocation or other protection of the fiber optic cable. Contractor shall not commence any work until all such protection or relocation (if applicable) has been accomplished.

B. In addition to other indemnity provisions in this Agreement, Contractor shall indemnify, defend and hold Railroad harmless from and against all costs, liability and expense whatsoever (including, without limitation, attorneys' fees, court costs and expenses) arising out of any act or omission of Contractor, its agents and/or employees, that causes or contributes to (1) any damage to or destruction of any telecommunications system on Railroad's property, and/or (2) any injury to or death of any person employed by or on behalf of any telecommunications company, and/or its contractor, agents and/or employees, on Railroad's property. Contractor shall not have or seek recourse against Railroad for any claim or cause of action for alleged loss of profits or revenue or loss of service or other consequential damage to a telecommunication company using Railroad's property or a customer or user of services of the fiber optic cable on Railroad's property.

Section 6. PERMITS - COMPLIANCE WITH LAWS.

In the prosecution of the work covered by this Agreement, Contractor shall secure any and all necessary permits and shall comply with all applicable federal, state and local laws, regulations and enactments affecting the work including, without limitation, all applicable Federal Railroad Administration regulations.

Section 7. SAFETY.

A. Safety of personnel, property, rail operations and the public is of paramount importance in the prosecution of the work performed by Contractor. Contractor shall be responsible for initiating, maintaining and supervising all safety, operations and programs in connection with the work. Contractor shall at a minimum comply with Railroad's safety standards listed in **Exhibit D**, hereto attached, to ensure uniformity with the safety standards followed by Railroad's own forces. As a part of Contractor's safety responsibilities, Contractor shall notify Railroad if Contractor determines that any of Railroad's safety standards are contrary to good safety practices. Contractor shall furnish copies of **Exhibit D** to each of its employees before they enter the job site.

B. Without limitation of the provisions of paragraph A above, Contractor shall keep the job site free from safety and health hazards and ensure that its employees are competent and adequately trained in all safety and health aspects of the job.

C. Contractor shall have proper first aid supplies available on the job site so that prompt first aid services may be provided to any person injured on the job site. Contractor shall promptly notify Railroad of any U.S. Occupational Safety and Health Administration reportable injuries. Contractor shall have a nondelegable duty to control its employees while they are on the job site or any other property of Railroad, and to be certain they do not use, be under the influence of, or have in their possession any alcoholic beverage, drug or other substance that may inhibit the safe performance of any work.

D. If and when requested by Railroad, Contractor shall deliver to Railroad a copy of Contractor's safety plan for conducting the work (the "Safety Plan"). Railroad shall have the right, but not the obligation, to require Contractor to correct any deficiencies in the Safety Plan. The terms of this Agreement shall control if there are any inconsistencies between this Agreement and the Safety Plan.

Section 8. INDEMNITY.

A. To the extent not prohibited by applicable statute, Contractor shall indemnify, defend and hold harmless Railroad, its affiliates, and its and their officers, agents and employees (individually an "Indemnified Party" or collectively "Indemnified Parties") from and against any and all loss, damage, injury, liability, claim, demand, cost or expense (including, without limitation, attorney's, consultant's and expert's fees, and court costs), fine or penalty (collectively, "Loss") incurred by any person (including, without limitation, any Indemnified Party, Contractor, or any employee of Contractor or of any Indemnified Party) arising out of or in any manner connected with (i) any work performed by Contractor, or (ii) any act or omission of Contractor, its officers, agents or employees, or (iii) any breach of this Agreement by Contractor.

B. The right to indemnity under this Section 8 shall accrue upon occurrence of the event giving rise to the Loss, and shall apply regardless of any negligence or strict liability of any Indemnified Party, except where the Loss is caused by the sole active negligence of an Indemnified Party as established by the final judgment of a court of competent jurisdiction. The sole active negligence of any Indemnified Party shall not bar the recovery of any other Indemnified Party.

C. Contractor expressly and specifically assumes potential liability under this Section 8 for claims or actions brought by Contractor's own employees. Contractor waives any immunity it may have under worker's compensation or industrial insurance acts to indemnify the Indemnified Parties under this Section 8. Contractor acknowledges that this waiver was mutually negotiated by the parties hereto.

D. No court or jury findings in any employee's suit pursuant to any worker's compensation act or the Federal

Employers' Liability Act against a party to this Agreement may be relied upon or used by Contractor in any attempt to assert liability against any Indemnified Party.

E. The provisions of this Section 8 shall survive the completion of any work performed by Contractor or the termination or expiration of this Agreement. In no event shall this Section 8 or any other provision of this Agreement be deemed to limit any liability Contractor may have to any Indemnified Party by statute or under common law.

Section 9. RESTORATION OF PROPERTY.

In the event Railroad authorizes Contractor to take down any fence of Railroad or in any manner move or disturb any of the other property of Railroad in connection with the work to be performed by Contractor, then in that event Contractor shall, as soon as possible and at Contractor's sole expense, restore such fence and other property to the same condition as the same were in before such fence was taken down or such other property was moved or disturbed. Contractor shall remove all of Contractor's tools, equipment, rubbish and other materials from Railroad's property promptly upon completion of the work, restoring Railroad's property to the same state and condition as when Contractor entered thereon.

Section 10. WAIVER OF DEFAULT.

Waiver by Railroad of any breach or default of any condition, covenant or agreement herein contained to be kept, observed and performed by Contractor shall in no way impair the right of Railroad to avail itself of any remedy for any subsequent breach or default.

Section 11. MODIFICATION - ENTIRE AGREEMENT.

No modification of this Agreement shall be effective unless made in writing and signed by Contractor and Railroad. This Agreement and the exhibits attached hereto and made a part hereof constitute the entire understanding between Contractor and Railroad and cancel and supersede any prior negotiations, understandings or agreements, whether written or oral, with respect to the work to be performed by Contractor.

Section 12. ASSIGNMENT - SUBCONTRACTING.

Contractor shall not assign or subcontract this Agreement, or any interest therein, without the written consent of the Railroad. Contractor shall be responsible for the acts and omissions of all subcontractors. Before Contractor commences any work, the Contractor shall, except to the extent prohibited by law; (1) require each of its subcontractors to include the Contractor as "Additional Insured" in the subcontractor's Commercial General Liability policy and Business Automobile policies with respect to all liabilities arising out of the subcontractor's performance of work on behalf of the Contractor by endorsing these policies with ISO Additional Insured Endorsements CG 20 26, and CA 20 48 (or substitute forms providing equivalent coverage; (2) require each of its subcontractors to endorse their Commercial General Liability Policy with "Contractual Liability Railroads" ISO Form CG 24 17 10 01 (or a substitute form providing equivalent coverage) for the job site; and (3) require each of its subcontractors to endorse their Business Automobile Policy with "Coverage For Certain Operations In Connection With Railroads" ISO Form CA 20 70 10 01 (or a substitute form providing equivalent coverage) for the job site.

EXHIBIT C
TO
CONTRACTOR'S
RIGHT OF ENTRY AGREEMENT

Union Pacific Railroad Company
Insurance Provisions For
Contractor's Right of Entry Agreement

Contractor shall, at its sole cost and expense, procure and maintain during the course of the Project and until all Project work on Railroad's property has been completed and the Contractor has removed all equipment and materials from Railroad's property and has cleaned and restored Railroad's property to Railroad's satisfaction, the following insurance coverage:

- A. Commercial General Liability insurance.** Commercial general liability (CGL) with a limit of not less than \$5,000,000 each occurrence and an aggregate limit of not less than \$10,000,000. CGL insurance must be written on ISO occurrence form CG 00 01 12 04 (or a substitute form providing equivalent coverage).

The policy must also contain the following endorsement, which must be stated on the certificate of insurance:

- Contractual Liability Railroads ISO form CG 24 17 10 01 (or a substitute form providing equivalent coverage) showing "Union Pacific Railroad Company Property" as the Designated Job Site.
- Designated Construction Project(s) General Aggregate Limit ISO Form CG 25 03 03 97 (or a substitute form providing equivalent coverage) showing the project on the form schedule.

- B. Business Automobile Coverage insurance.** Business auto coverage written on ISO form CA 00 01 10 01 (or a substitute form providing equivalent liability coverage) with a combined single limit of not less \$5,000,000 for each accident and coverage must include liability arising out of any auto (including owned, hired and non-owned autos).

The policy must contain the following endorsements, which must be stated on the certificate of insurance:

- Coverage For Certain Operations In Connection With Railroads ISO form CA 20 70 10 01 (or a substitute form providing equivalent coverage) showing "Union Pacific Property" as the Designated Job Site.
- Motor Carrier Act Endorsement - Hazardous materials clean up (MCS-90) if required by law.

- C. Workers' Compensation and Employers' Liability insurance.** Coverage must include but not be limited to:
- Contractor's statutory liability under the workers' compensation laws of the state where the work is being performed.
 - Employers' Liability (Part B) with limits of at least \$500,000 each accident, \$500,000 disease policy limit \$500,000 each employee.

If Contractor is self-insured, evidence of state approval and excess workers compensation coverage must be provided. Coverage must include liability arising out of the U. S. Longshoremen's and Harbor Workers' Act, the Jones Act, and the Outer Continental Shelf Land Act, if applicable.

The policy must contain the following endorsement, which must be stated on the certificate of insurance:

- Alternate Employer endorsement ISO form WC 00 03 01 A (or a substitute form providing equivalent coverage) showing Railroad in the schedule as the alternate employer (or a substitute form providing equivalent coverage).

- D. Railroad Protective Liability insurance.** Contractor must maintain "Railroad Protective Liability" (RPL) insurance written on ISO occurrence form CG 00 35 12 04 (or a substitute form providing equivalent coverage) on behalf of Railroad as named insured, with a limit of not less than \$2,000,000 per occurrence and an aggregate of \$6,000,000. The definition of "JOB LOCATION" and "WORK" on the declaration page of the policy shall refer to

this Agreement and shall describe all WORK or OPERATIONS performed under this agreement. Contractor shall provide this Agreement to Contractor's insurance agent(s) and/or broker(s) and Contractor shall instruct such agent(s) and/or broker(s) to procure the insurance coverage required by this Agreement. A BINDER STATING THE POLICY IS IN PLACE MUST BE SUBMITTED TO RAILROAD BEFORE THE WORK MAY COMMENCE AND UNTIL THE ORIGINAL POLICY IS FORWARDED TO UNION PACIFIC RAILROAD.

- E. **Umbrella or Excess** insurance. If Contractor utilizes umbrella or excess policies, these policies must "follow form" and afford no less coverage than the primary policy.
- F. **Pollution Liability** insurance. Pollution liability coverage must be included when the scope of the work as defined in the Agreement includes installation, temporary storage, or disposal of any "hazardous" material that is injurious in or upon land, the atmosphere, or any watercourses; or may cause bodily injury at any time.

If required, coverage may be provided in separate policy form or by endorsement to Contractors CGL or RPL. Any form coverage must be equivalent to that provided in ISO form CG 24 15 "Limited Pollution Liability Extension Endorsement" or CG 28 31 "Pollution Exclusion Amendment" with limits of at least \$5,000,000 per occurrence and an aggregate limit of \$10,000,000.

If the scope of work as defined in this Agreement includes the disposal of any hazardous or non-hazardous materials from the job site, Contractor must furnish to Railroad evidence of pollution legal liability insurance maintained by the disposal site operator for losses arising from the insured facility accepting the materials, with coverage in minimum amounts of \$1,000,000 per loss, and an annual aggregate of \$2,000,000.

Other Requirements

- G. All policy(ies) required above (except worker's compensation and employers liability) must include Railroad as "Additional Insured" using ISO Additional Insured Endorsements CG 20 26, and CA 20 48 (or substitute forms providing equivalent coverage). The coverage provided to Railroad as additional insured shall, to the extent provided under ISO Additional Insured Endorsement CG 20 26, and CA 20 48 provide coverage for Railroad's negligence whether sole or partial, active or passive, and shall not be limited by Contractor's liability under the indemnity provisions of this Agreement.
- H. Punitive damages exclusion, if any, must be deleted (and the deletion indicated on the certificate of insurance), unless the law governing this Agreement prohibits all punitive damages that might arise under this Agreement.
- I. Contractor waives all rights of recovery, and its insurers also waive all rights of subrogation of damages against Railroad and its agents, officers, directors and employees. This waiver must be stated on the certificate of insurance.
- J. Prior to commencing the work, Contractor shall furnish Railroad with a certificate(s) of insurance, executed by a duly authorized representative of each insurer, showing compliance with the insurance requirements in this Agreement.
- K. All insurance policies must be written by a reputable insurance company acceptable to Railroad or with a current Best's Insurance Guide Rating of A- and Class VII or better, and authorized to do business in the state where the work is being performed.
- L. The fact that insurance is obtained by Contractor or by Railroad on behalf of Contractor will not be deemed to release or diminish the liability of Contractor, including, without limitation, liability under the indemnity provisions of this Agreement. Damages recoverable by Railroad from Contractor or any third party will not be limited by the amount of the required insurance coverage.

EXHIBIT D
TO
CONTRACTOR'S RIGHT OF ENTRY AGREEMENT

MINIMUM SAFETY REQUIREMENTS

The term "employees" as used herein refer to all employees of Contractor as well as all employees of any subcontractor or agent of Contractor.

I. Clothing

- A. All employees of Contractor will be suitably dressed to perform their duties safely and in a manner that will not interfere with their vision, hearing, or free use of their hands or feet.

Specifically, Contractor's employees must wear:

- (i) Waist-length shirts with sleeves.
- (ii) Trousers that cover the entire leg. If flare-legged trousers are worn, the trouser bottoms must be tied to prevent catching.
- (iii) Footwear that covers their ankles and has a defined heel. Employees working on bridges are required to wear safety-toed footwear that conforms to the American National Standards Institute (ANSI) and FRA footwear requirements.

- B. Employees shall not wear boots (other than work boots), sandals, canvas-type shoes, or other shoes that have thin soles or heels that are higher than normal.

- C. Employees must not wear loose or ragged clothing, neckties, finger rings, or other loose jewelry while operating or working on machinery.

II. Personal Protective Equipment

Contractor shall require its employees to wear personal protective equipment as specified by Railroad rules, regulations, or recommended or requested by the Railroad Representative.

- (i) Hard hat that meets the American National Standard (ANSI) Z89.1 – latest revision. Hard hats should be affixed with Contractor's company logo or name.
- (ii) Eye protection that meets American National Standard (ANSI) for occupational and educational eye and face protection, Z87.1 – latest revision. Additional eye protection must be provided to meet specific job situations such as welding, grinding, etc.
- (iii) Hearing protection, which affords enough attenuation to give protection from noise levels that will be occurring on the job site. Hearing protection, in the form of plugs or muffs, must be worn when employees are within:
 - 100 feet of a locomotive or roadway/work equipment
 - 15 feet of power operated tools
 - 150 feet of jet blowers or pile drivers
 - 150 feet of retarders in use (when within 10 feet, employees must wear dual ear protection – plugs and muffs)
 -
- (iv) Other types of personal protective equipment, such as respirators, fall protection equipment, and face shields, must be worn as recommended or requested by the Railroad Representative.